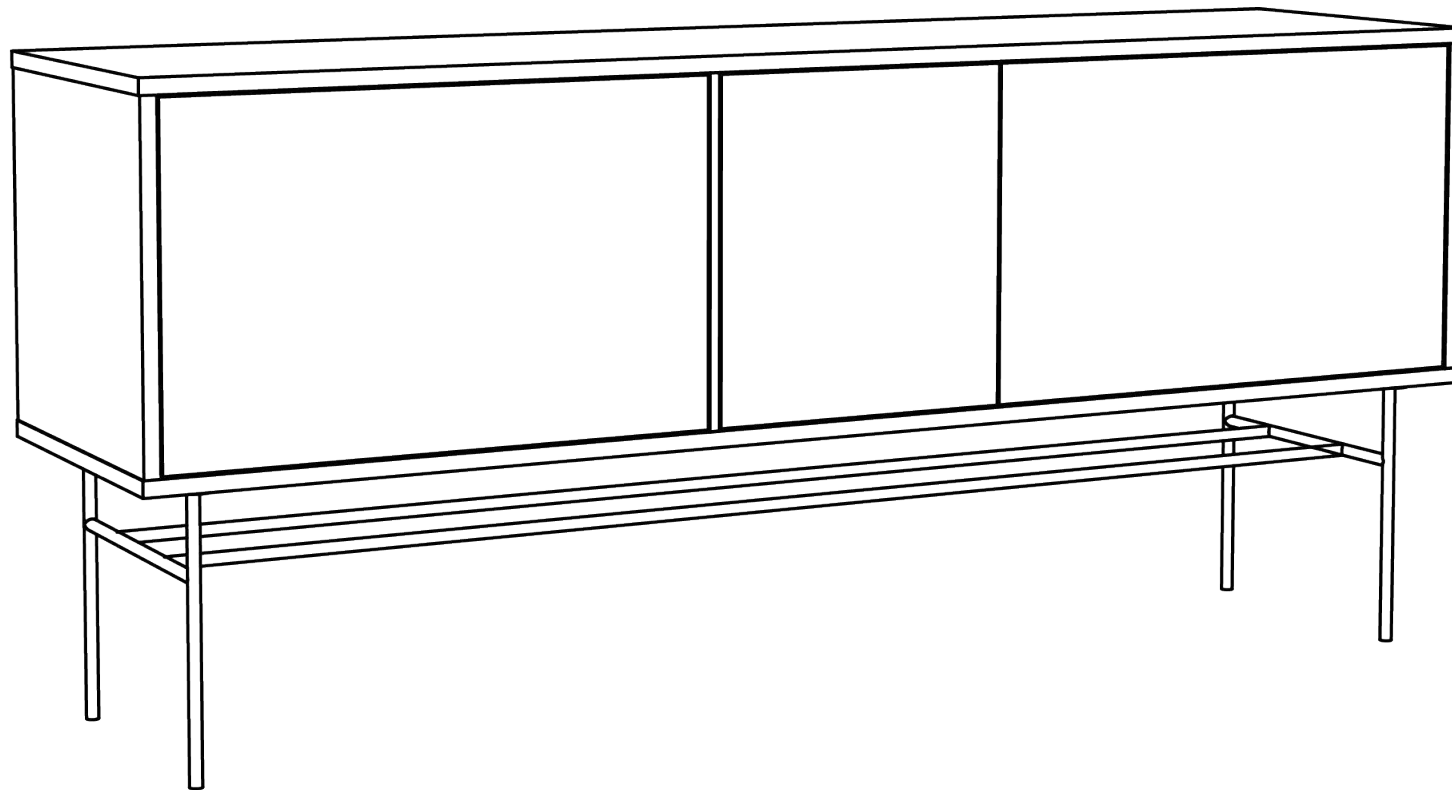
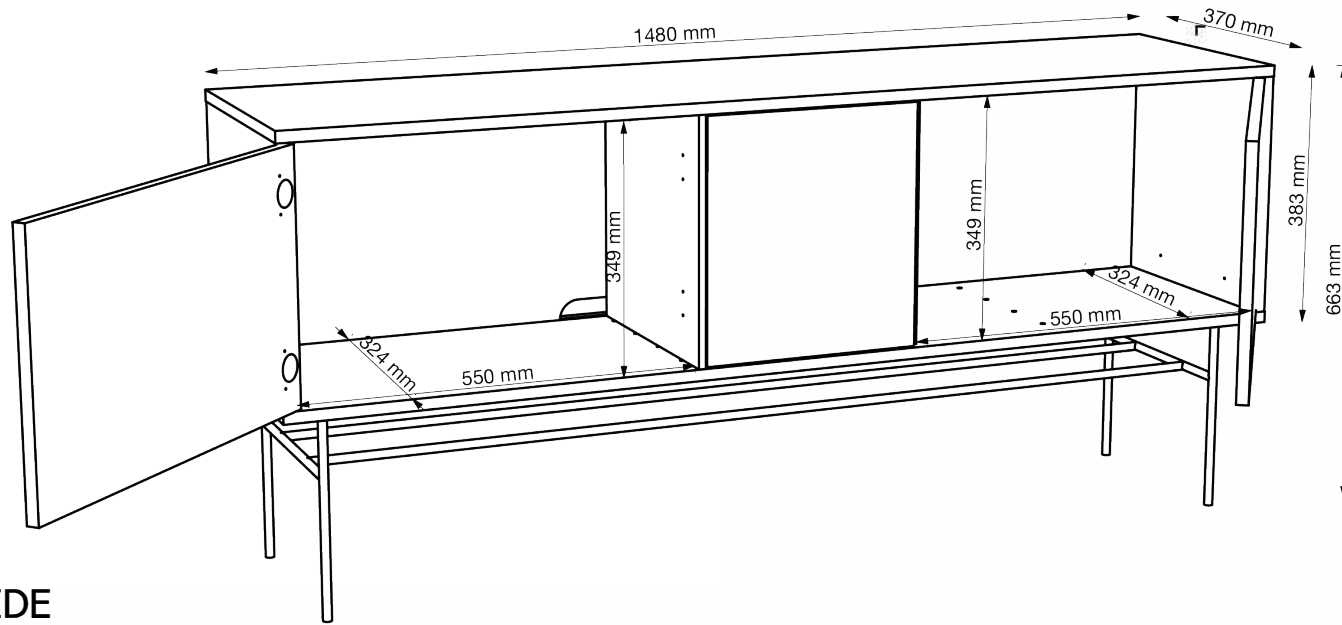


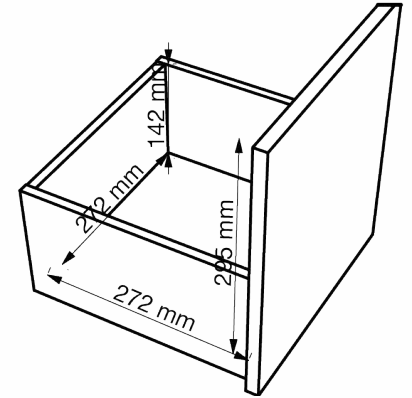
NORDIC SIDEBOARD








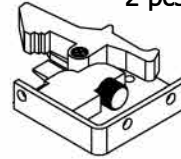
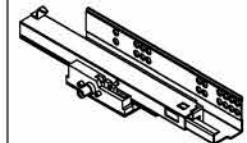
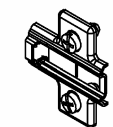
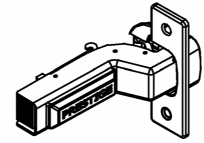










NORDIC SIDEBOARD

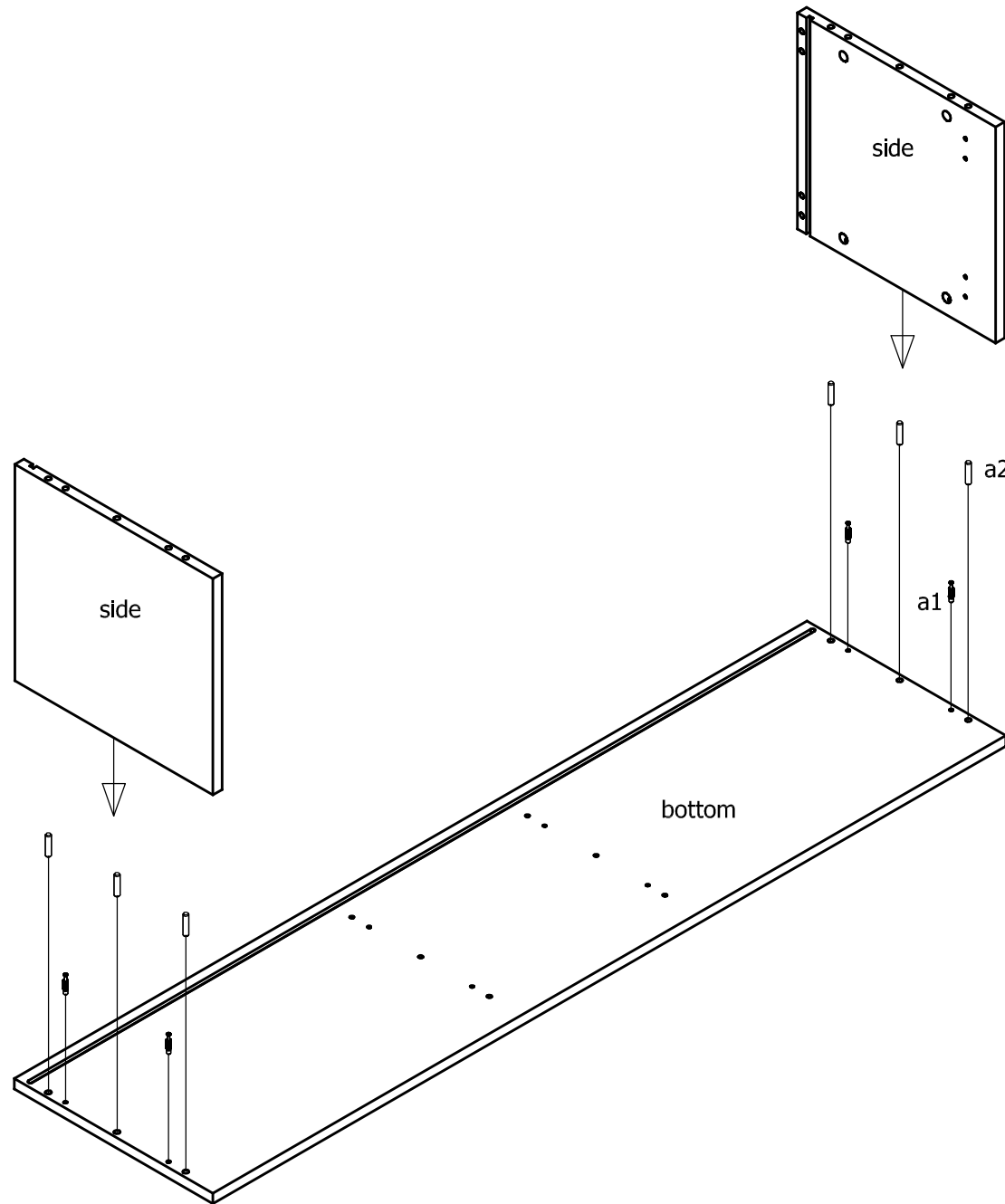



D R A W E R



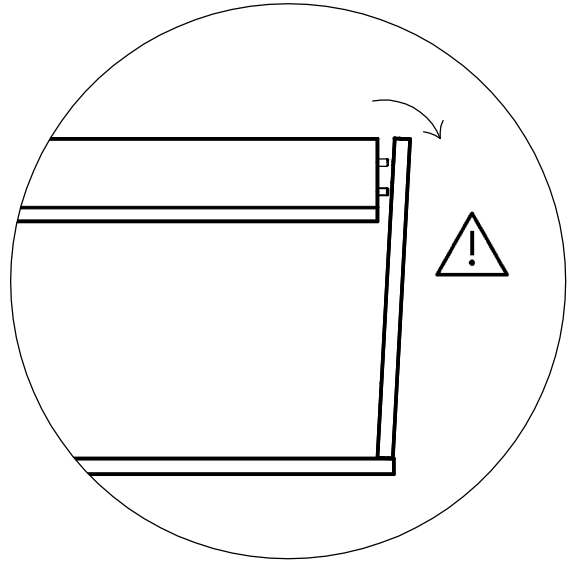
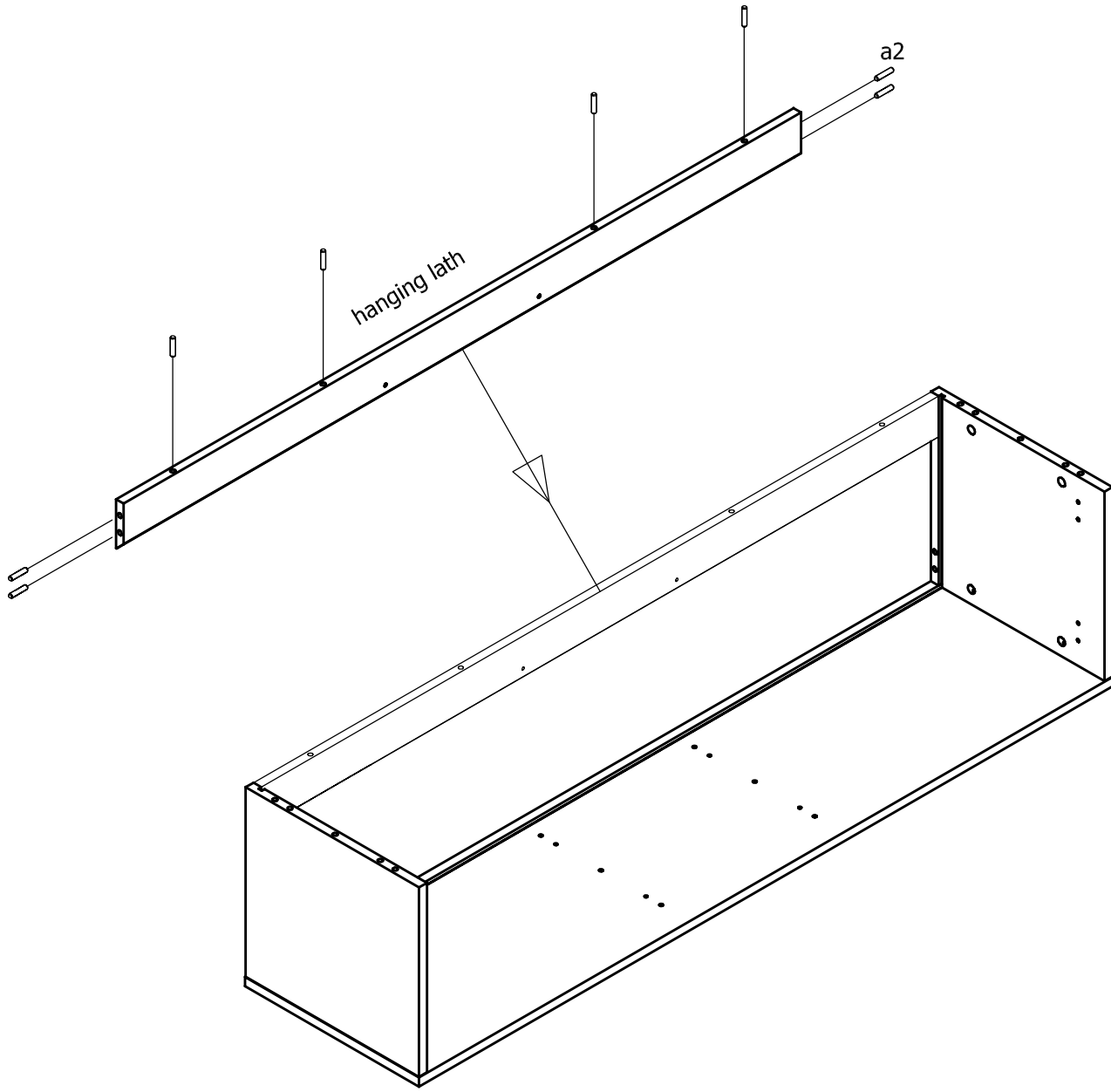
PART GUIDE

a1  connecting bolt 22 pcs	a4  eccentric joint $\phi 15$ 14 pcs						
a2  wood dowel $\phi 8 \times 35$ 28 pcs	a5  eccentric joint $\phi 12$ 8 pcs	b1  K-Push Tech 2 pcs	c1  drawer runner fixing clips 2 pcs	c2  drawer runner 2 pcs	d1  hinge plate with euroscrews 4 pcs	d2  hinge 4 pcs	
a3  wood dowel $\phi 6 \times 25$ 12 pcs	a6  screw 3x20 2 pcs						
a7  confirmat $\phi 5 \times 50$ 2 pcs	a8  sticker for eccentric joint $\phi 15$ wood 8 pcs	b2  screw 3,5x16 4 pcs	c3  screw 4x15 4 pcs	c4  eurocrew 6x11 8 pcs	d3  screw 4x16 8 pcs	d4  hinge cover 4 pcs	
a9  sticker for eccentric joint $\phi 15$ white 6 pcs							

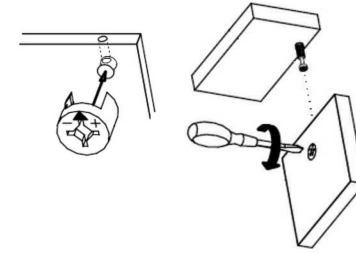
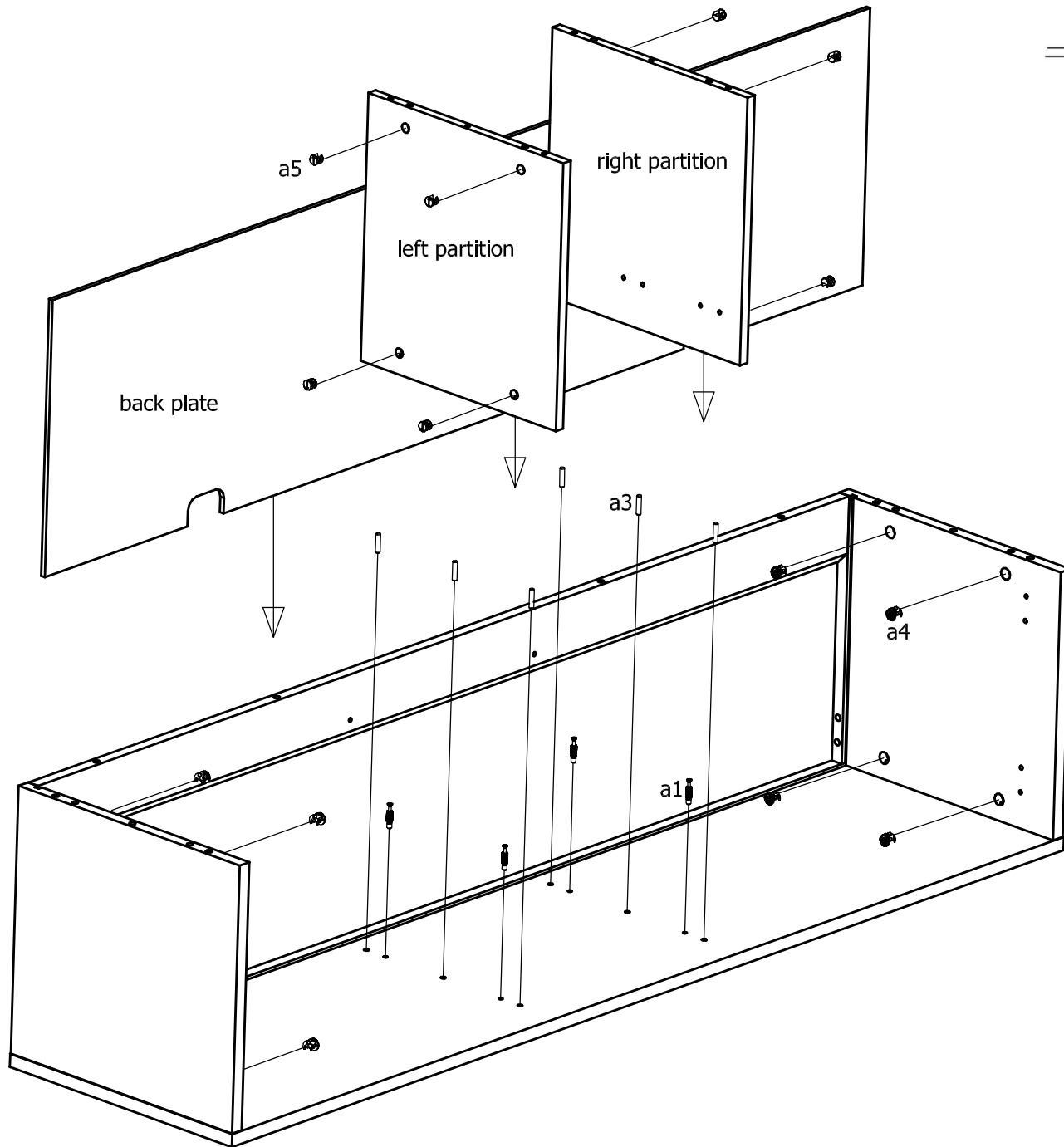


a1  connecting bolt
4 pcs

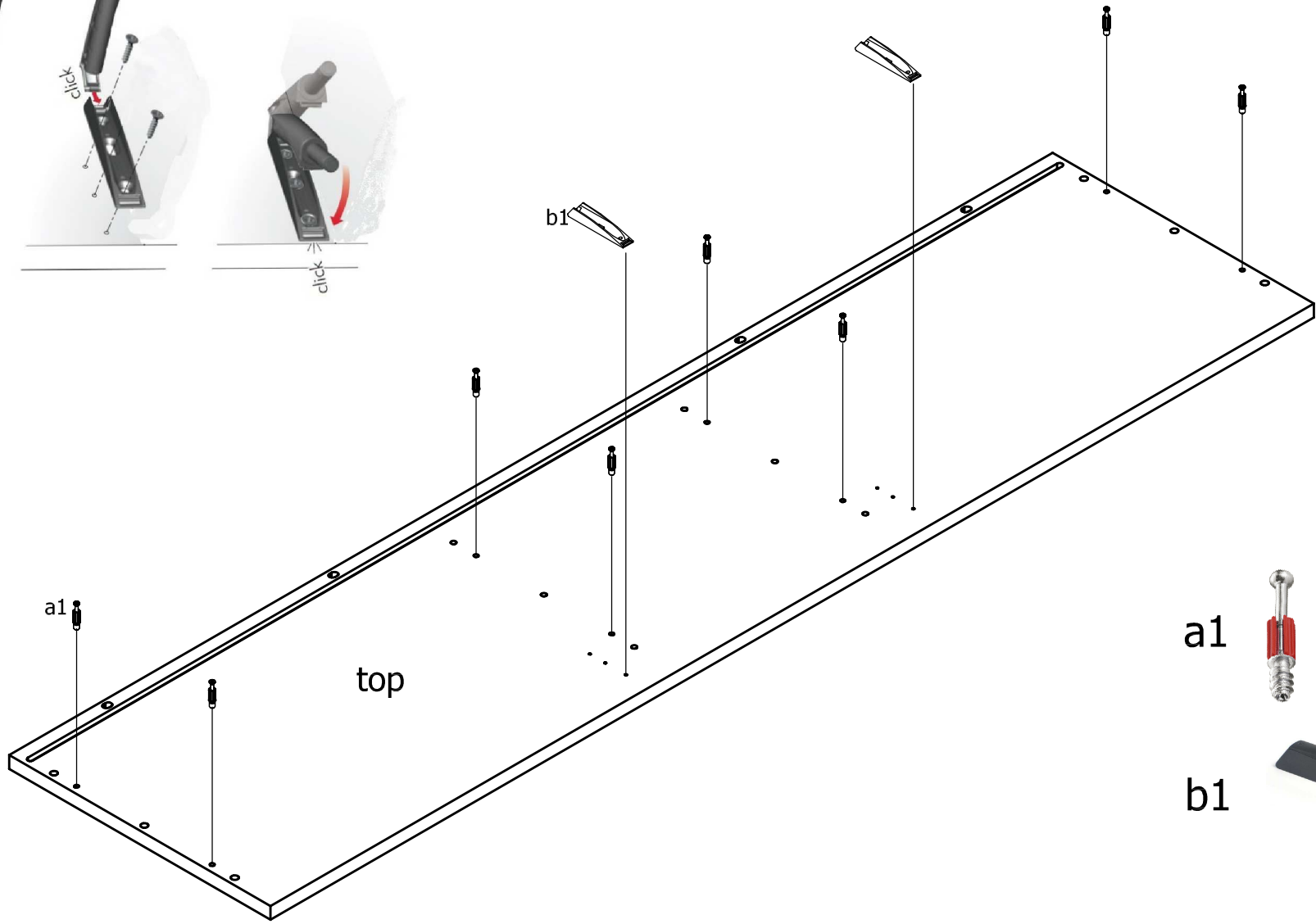
a2  wood dowel $\phi 8 \times 35$
6 pcs



a2  wood dowel ϕ 8x35
8 pcs



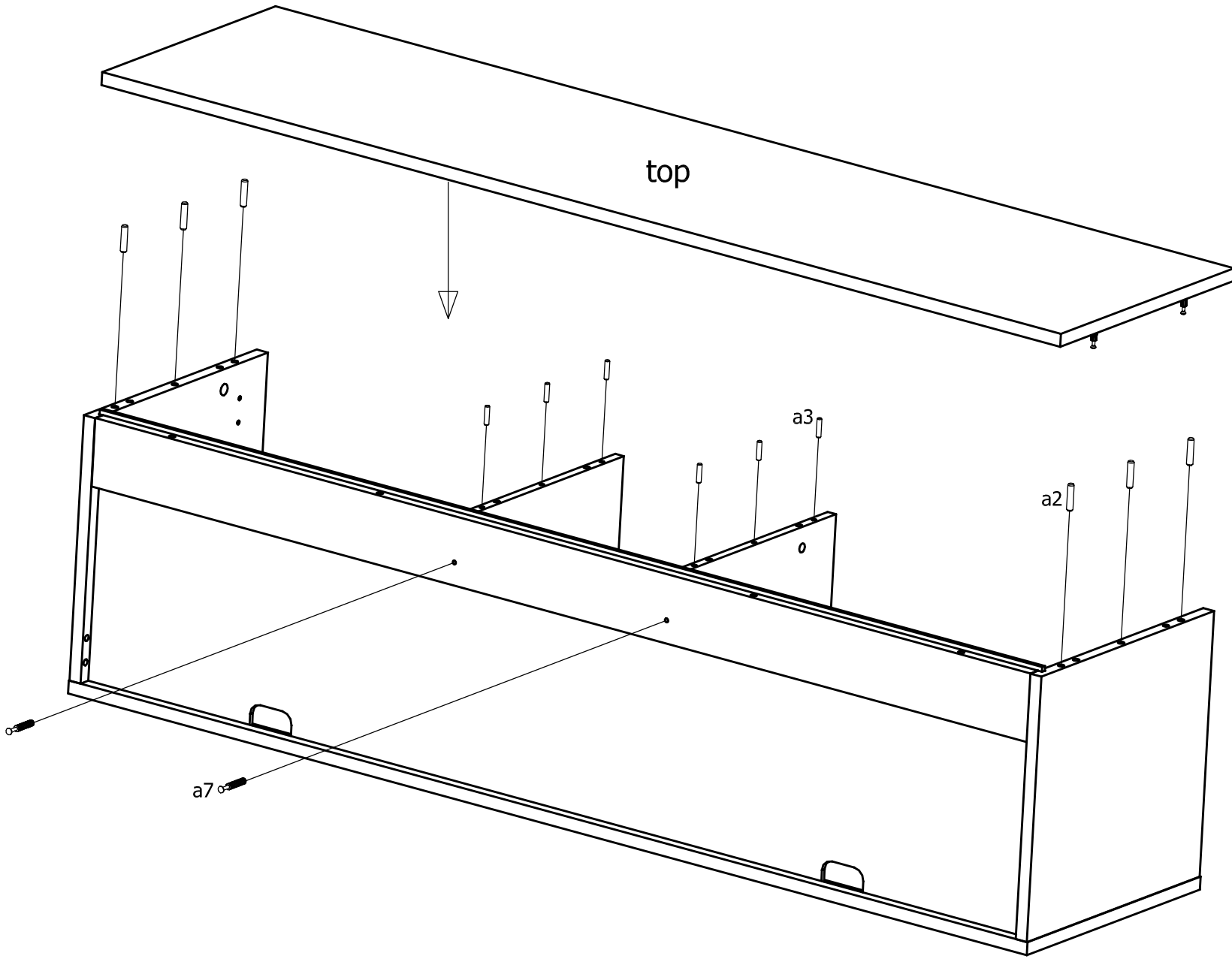
- a1**  connecting bolt
4 pcs
- a3**  wood dowel $\phi 6 \times 25$
6 pcs
- a4**  eccentric joint $\phi 15$
8 pcs
- a5**  eccentric joint $\phi 12$
8 pcs
- a8**  sticker for
eccentric joint $\phi 15$
wood
8 pcs



a1  connecting bolt
8 pcs

b1  K-Push Tech
2 Pcs

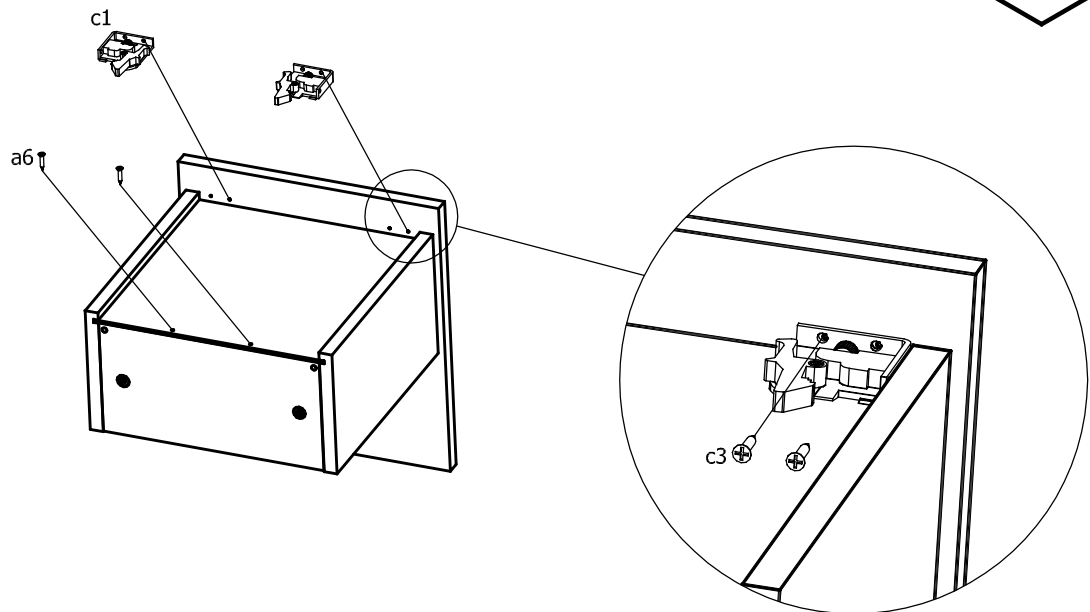
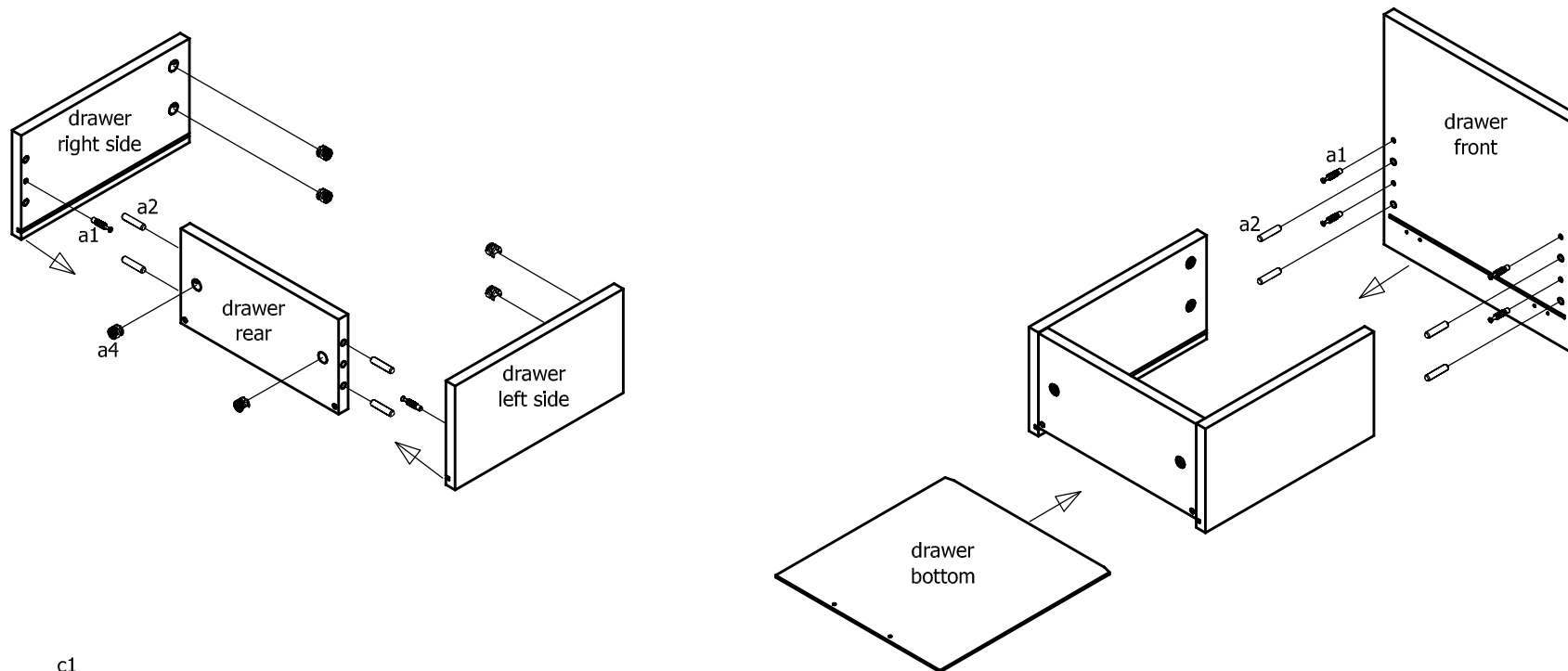
b2  screw 3,5x16
4 pcs



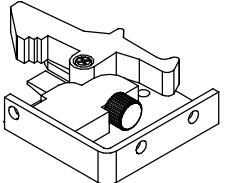
a2  wood dowel $\phi 8 \times 35$
6 pcs

a3  wood dowel $\phi 6 \times 25$
6 pcs

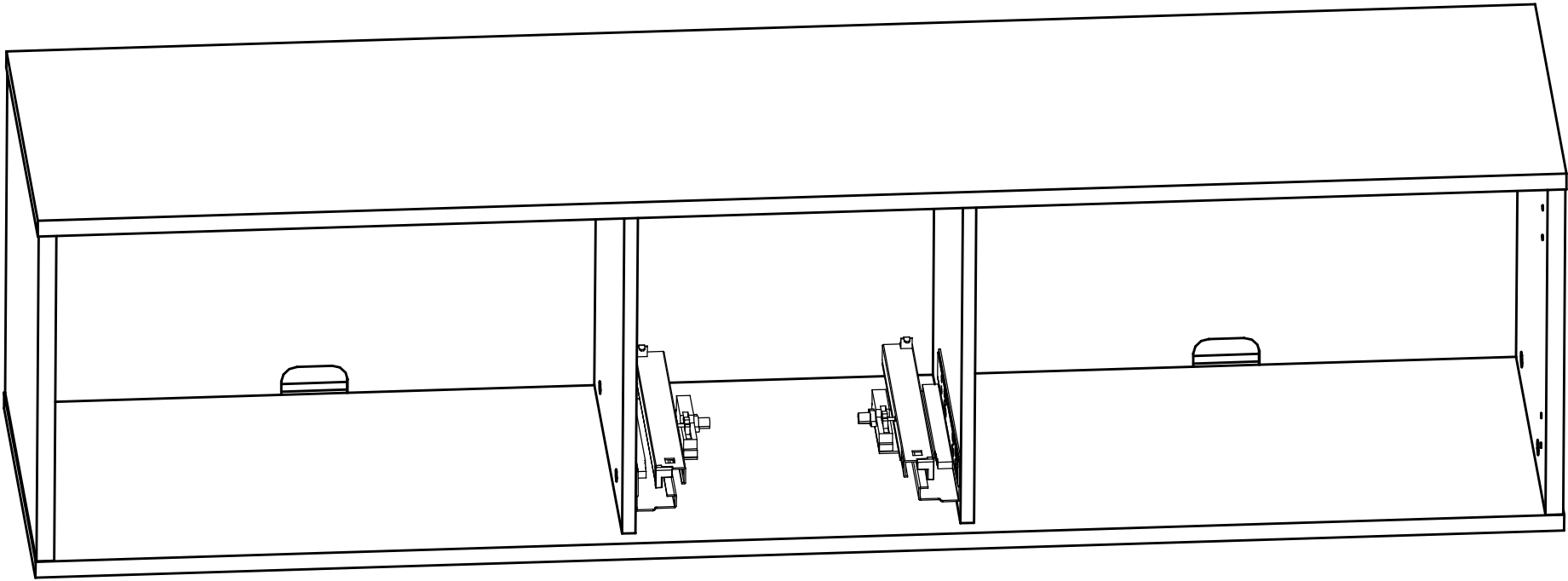
a7  confirmat $\phi 5 \times 50$
2 pcs



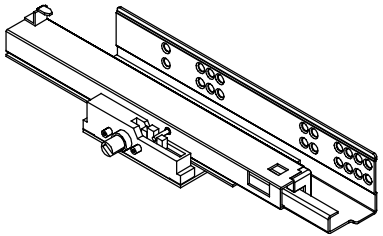
- a1**  connecting bolt
6 pcs
- a2**  wood dowel $\varnothing 8 \times 35$
8 pcs
- a4**  eccentric joint $\varnothing 15$
6 pcs
- a6**  screw 3x20
2 pcs
- a9**  sticker for
eccentric joint $\varnothing 15$
white
6 pcs

- c1**  drawer runner
fixing clips
2 pcs

- c3**  screw 4x15
4 pcs



c4  euroscrew 6x11
8 pcs

c2  drawer runner
2 pcs

